

**General Description**

The S22T is a remote optic intended for use with POD style LED highbays and induction sources. Unlike traditional reflectors, the S22T is designed to allow high beam angles from LED arrays. Its large flat top allows it to be easily adapted to most any fixture without the need for expensive collars. The lower flange mimics traditional reflectors allowing for a wide range of bottom lenses and standard clamp bands.

**Features and Benefits**

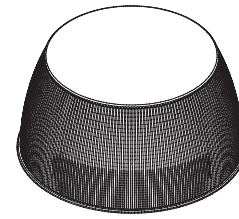
- Standard clear acrylic version is cost effective and provides a traditional yet low profile appearance
- Adaptable to any LED POD with an opening of up to 16.6 inches
- Interface® version yields high down light efficiency and a gentle glow for maximum brightness control
- Polycarbonate, DR acrylic and Frosted acrylic are custom options
- Accommodates standard 22" diameter lenses including the Model 622 Drop Lens, 822 Conical Drop Lens and WB22 lenses (Spring 2018). Bottom lenses are primarily for low bay applications where brightness control is paramount. Bottom lenses also enhance uplight and greater spacing.

**Applications**

High bay and low bay applications where a traditional fixture appearance, brightness control and/or wide distribution are desirable. Before final installation of Reflexors, dissipate static on parts by spraying with de-staticized air or by wiping with a clean damp rag. This will help minimize dust build up on the Reflexor.

**Ordering Information**

Please call 877-257-5841 for price and delivery.

**Dimensions**

11" H x 22" diameter  
 Approximate weight 6lbs

**Materials**

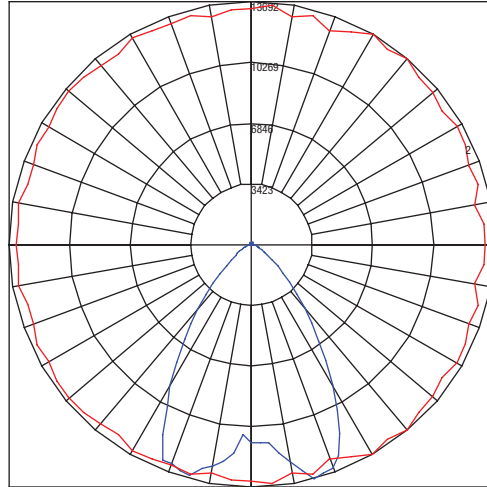
Acrylic Moon Glow™  
 LED Grade Acrylic  
 Lighting Grade Acrylic  
 Lumieo®  
 Interface Acrylic  
 Polycarbonate  
 Impact Modified Acrylic

**Accessories/Options**

Model 622 Drop Lens  
 Model 822 CDL  
 Model WB22 Lens (Spring 2018)  
 822 Clamp Band  
 822 Wire Guard

### Photometry

**Report Number:**  
**Test Date:** 07/28/17  
**Product Number:** S22T  
**Lumens:** 19075  
**Watts:** 162  
**Lumens Per Watt:** 118  
**Spacing Criteria**  
**0-180** 1.20  
**90-270** 1.20  
**DIA** 1.10



Maximum Candela = 13692.4 Located At Horizontal Angle = 60, Vertical Angle = 15  
 # 1 - Vertical Plane Through Horizontal Angles (60 - 240) (Through Max. Cd.)  
 # 2 - Horizontal Cone Through Vertical Angle (15) (Through Max. Cd.)

### Lumen Summary

Zone	Lumens	% Fixture
0-30	10205.96	53.50
0-40	14394.86	75.50
0-60	17864.27	93.70
0-90	18689.38	98.00
90-120	137.96	0.70
90-130	181.00	0.90
90-150	300.29	1.60
90-180	385.91	2.00
0-180	19075.29	100.0

### Materials

See the LexaLite<sup>®</sup> brand price list for current part numbers and material offerings. Up-to-date and detailed material specifications can be found in the Resources section of our web site at [www.alpadvantage.com](http://www.alpadvantage.com).

### Notice

A.L.P. assumes no responsibility for suitability of these materials in any luminaire or application. Please test for fit and function prior to ordering project quantities.

While A.L.P. utilizes IESNA testing procedures and believes our testing results to be accurate, A.L.P. provides photometry for reference only. Actual results will vary based on the actual light source(s) and power source(s) used, i.e. ballast, driver, generator, etc. and the combinations in which they are used, as well as operating temperatures, and other electrical and environmental variables. We urge that customers perform their own fixture qualifications prior to making performance-based claims. In no event will A.L.P. be liable for any loss or damage, including without limitation, indirect or consequential loss or damage in connection with the use of this information.

