

EXPRESS™ 4-Lamp T8 High Bay

Notes:

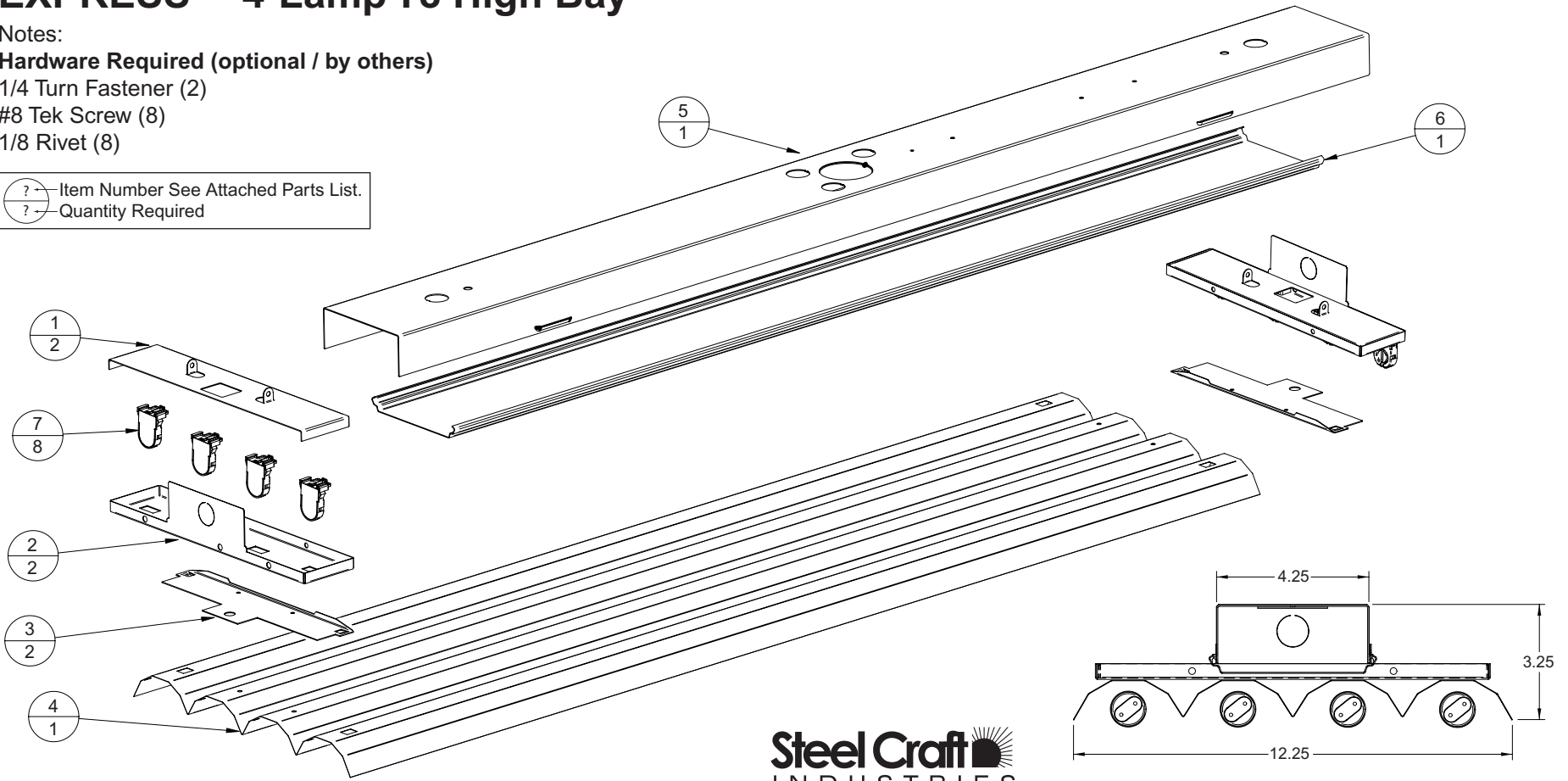
Hardware Required (optional / by others)

1/4 Turn Fastener (2)

#8 Tek Screw (8)

1/8 Rivet (8)

? - Item Number See Attached Parts List.
 ? - Quantity Required



One Call Does It All!

Item Number	Part Number	Description	QTY	Notes
1	ACR T5T8SPT	ACR T5 and T8 Socket Plate Top	2	
2	ACR T8SPEP4	ACR T8 Socket Plate / End Palte - 4-Lamp	2	
3	DiALREFLBRKT	DiAL Reflector Bracket	2	
4	DiALRMREFL44	DiAL RM 4-Lamp Reflector - 4'	1	select one only
4	EXP RMREFL44 U	EXP RM 4-Lamp Reflector with Uplight - 4'	1	select one only
4	DiALRWREFL44	DiAL RW 4-Lamp Reflector - 4'	1	select one only
4	EXP RWREFL44 U	EXP RW 4-Lamp Reflector with Uplight - 4'	1	select one only
5	SCI SEP4 HSG	SCI SEP - 4' Housing	1	
6	ACR SEPCO4 MOD	SCI SEP Ballast Cover 4' - 43" lg	1	
7	OPTIONAL	T8 Low Profile Rotary Locking Lampholder	8	ALP # LH 220



World Headquarters:
 6333 Gross Point Road • Niles, IL 60714
 West • South • East • Central
 (800) 621-1348 • Fax: (773) 774-9331
www.billbrownsales.com

© 2004 Bill Brown Sales

Printed in the U.S.A.
 EXP8448 04