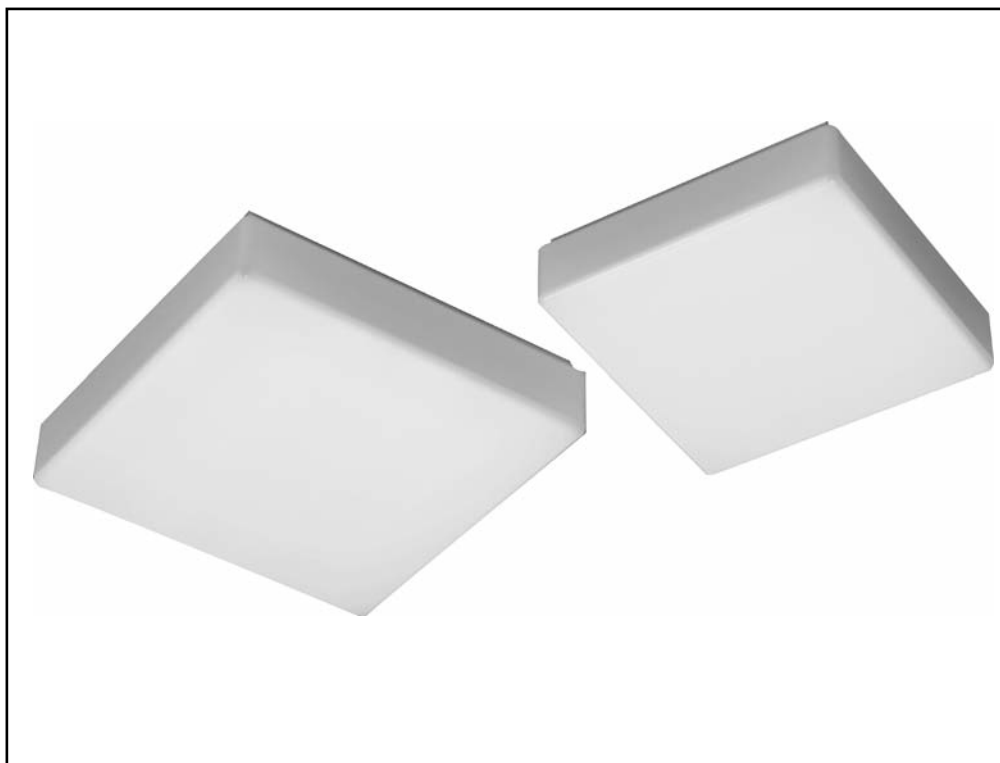
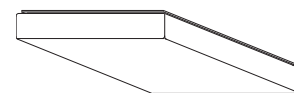


# MINI-SQUARELINE DIFFUSERS

## Series F63



Series F63



### Series F63

#### SQUARE VERSIONS

9"

12"

17"

DECORATIVE DIFFUSERS FOR  
COMMERCIAL, RETAIL AND  
RESIDENTIAL APPLICATIONS

STANDARD MATERIAL:  
WHITE ACRYLIC  
AND WHITE POLYCARBONATE

PLEASE INQUIRE FOR  
FURTHER MATERIAL OPTIONS

### Description

The Mini-Squareline Series Diffusers feature a crisp, clean design. This series is produced from white acrylic and white polycarbonate. It is a smaller version of the Series F60. The acrylic version of the Mini-Squareline is designed with a fine S82 pattern surface while the polycarbonate models are manufactured in the smooth S80 pattern. Both patterns provide uniformity of light diffusion with an uplight component. Metal housings are offered as an accessory.

### Application

The Mini-Squareline Series is a group of contemporary diffusers for surface mounted applications.

### Lamp Data

Series F63 components can be used with linear or compact fluorescent lamps, depending on the luminaire geometry.

### Ordering Information

Please call 877-257-5841 for price and delivery. Specify opening size when placing an order. Typical lead time is four to six weeks.

### Notice

A.L.P. Lighting Components assumes no responsibility for suitability of luminaires and applications. The use of diffusers at temperatures near or above 70°C with high ultraviolet output light sources will cause degradation of the material.

# Series F63

## Diffuser opening

9-7/8" x 9-7/8"

12-3/4" x 12-3/4"

17-5/8" x 17-5/8"

## Housing

10" x 10"

13" x 13"

18" x 18"

## Accessory

### Metal Housing

Steel, painted white for mounting.

## Materials

The following materials are used in the production of sheet, profiles, formed and molded parts by A.L.P. Plastics. Please be aware that A.L.P. Plastics does not provide material certifications unless requested by the customer prior to quoting. Our standard manufacturing practice includes the use of reclaimed materials exceeding 25%.

White acrylic: Pigment: Ferco CP51 based material 3-5% max. with any of the following acrylic materials.

### Fluorescent Grade Acrylic:

Altuglas Intl. - UL file #E39437,

Materials: V-045, V-825 and V-052.

Lucite International - UL file #E65769,

Materials: CP-81, MS-983.

Cyro Industries - UL file #E54671,

Materials: H-12 and H-15.

Plaskolite West Inc. - UL file #E167330,

Material: CA-81.

### Polycarbonate:

General Electric Co. - UL file #E121562,

Materials: Lexan ML-7135, 223 and 243.

General Electric Co. - UL file #E61257,

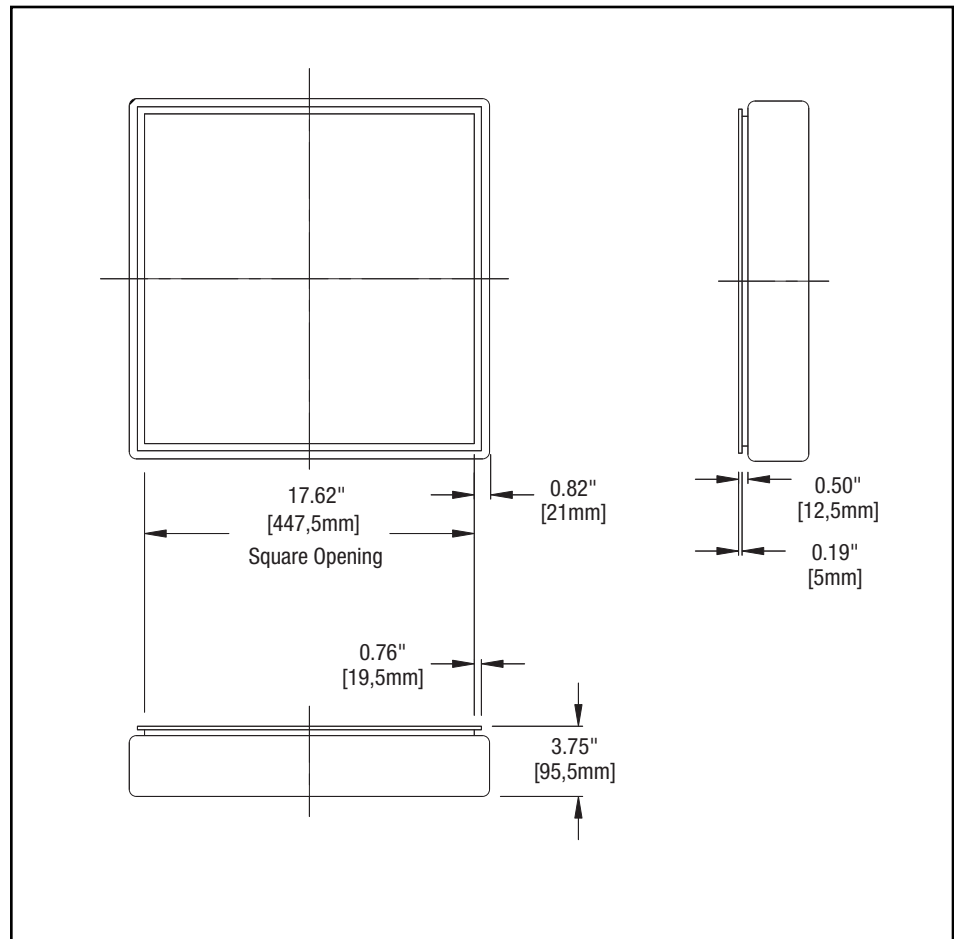
Material: Lexan 9034 (Sheet).

Bayer Corp. - Plastics - UL file #E33640,

Materials: Makrolon 1804 and HF1130.

Mitsubishi - UL file #E41179 Iupolon E2000V.

Please visit our web site for the most current material specifications.



**This drawing is for reference only. Actual part dimensions will vary.  
Customer is urged to review actual samples to confirm fit and function.  
All specifications and dimensions are subject to change without notice.**